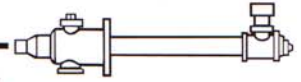


PERFORMANCE

1" WATER METER		1" ALLEVIATOR
G.P.M.	P.S.I.	P.S.I.
6.0	0.28	0.14
10.0	0.55	0.35
13.0	0.95	0.60
16.0	1.4	0.89
19.0	2.0	1.30
22.0	2.7	1.68
25.0	3.6	2.13
31.0	5.7	3.22
37.0	8.2	4.44
45.0	12.1	6.58
50.0	15.0	8.08

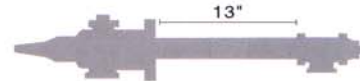
ALLEVIATOR[®]

The Irrigation Shut off Valve.



Brought to you by Pappas Products, Inc.

3/4" Diameter



1" Diameter



1-1/4" Diameter

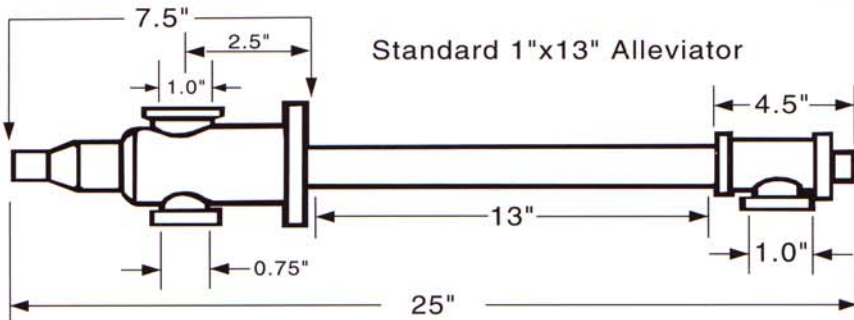
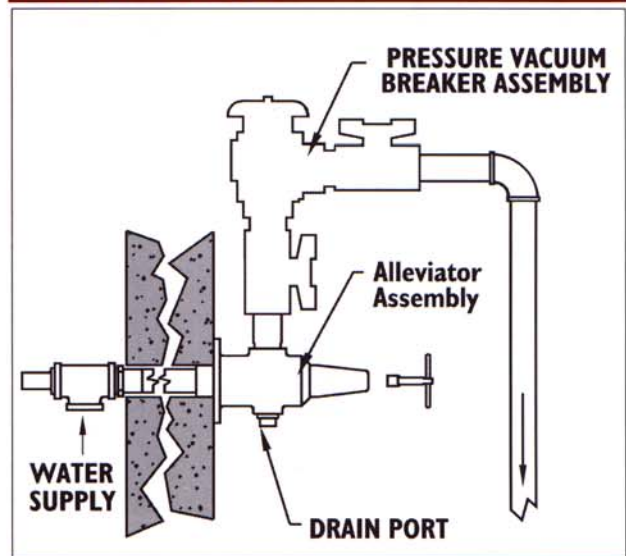


1-1/2" Diameter



- Flexible to incorporate any job from small residential to large commercial systems
- Can be mounted in any position making retrofits a routine procedure
- Stainless steel and brass construction with low lead bronze castings
- Comes with a T-fitting to assist alignment to domestic water feed
- Internally engineered plug-guide that prevents metering rod vibration, whipping and loss of pressure

INSTALLATION



A through-wall installation is recommended in most cases. Allow for a 23" clearance for maintenance, testing and accessibility. The Alleviator should be located and installed in such a way where discharge will not be objectionable or cause a safety issue.



PAPPAS PRODUCTS, Inc.

83 Alexander Road, Unit-1
 Billerica, MA 01821
 1-877-834-9119